

Welcome...

to your new Motorola CT50 Corded Telephone!

- 10 two-touch memory keys for easy dialling.

- Redial to easily dial the last number called.

- Tone dialling.

- Mute your caller so you can have a private conversation with someone nearby.

- LED indicator shows when mute is activated.

- Ringer volume switch.

- Recall for network functions.

- Wall mountable for space efficiency.

Need help?

If you have any problems setting up or using your CT50, please contact Customer Services on xxxxxxxxxxxx. Alternatively, you may find the answer in the 'Help' section at the back of this guide.

This user guide provides you with all the information you need to get the most from your phone.

To set up your phone, follow the simple instructions in 'Getting Started'.

IMPORTANT

Only use the telephone line cord supplied.

Got everything?

- Corded handset and curly line cord

- Corded base

- User guide

For a better tomorrow

We make every effort through our design, research, engineering and supply chain management to make better products for everyone, focusing on both social and environmental responsibility.

The right thing to do.

- Meets and/or exceeds EMEA environmental regulatory requirements.

- Eco friendly packaging with a minimum 20% post consumer recycled content.

- Phone housing is built with a minimum of 25% post consumer recycled content plastic.

| | |
|------------------------------------|----|
| 1. Getting started | 5 |
| 2. Getting to know your phone | 6 |
| 3. Using the phone..... | 8 |
| 3.1 Calls | 8 |
| 3.1.1 Make a call | 8 |
| 3.1.2 End a call | 8 |
| 3.1.3 Receive a call | 8 |
| 3.2 Mute..... | 8 |
| 3.3 Redial..... | 8 |
| 3.4 Recall..... | 8 |
| 4. Memory | 9 |
| 4.1 Store a two-touch number | 9 |
| 4.2 Dial a two-touch number | 9 |
| 4.3 Delete a two-touch number..... | 9 |
| 5. Help..... | 10 |
| 6. General information | 11 |
| 7. Wall mounting..... | 15 |

1. Getting started

IMPORTANT

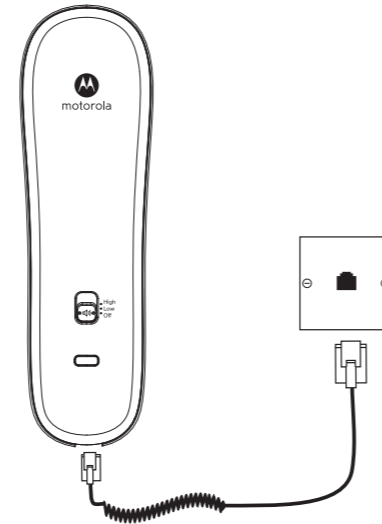
Do not place your CT50 in the bathroom or other humid areas.

Location

You need to place your CT50 base within 2 metres of the telephone wall socket so that the cable will reach. The socket-outlet should be installed near the equipment and should be easily accessible.

If you are wall mounting your phone please refer to the wall mount template on page 15.

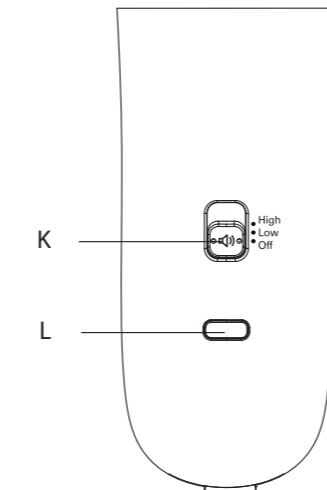
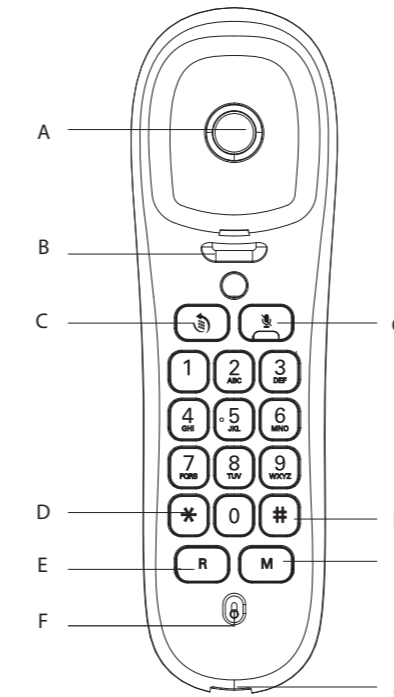
Connecting the handset



1. Plug one end of the curly line cord into the socket on the handset and the other end into the telephone wall socket.

2. Getting to know your phone

Overview of the handset



A Earpiece

B Hook switch
Hangs up a call when pressed or when you replace the handset.

C Redial
Press to redial the last number called.

D *
Dial a *.

E R
Recall used with switchboards / PABX.

F Microphone

G Mute
Speak to someone nearby without your caller hearing the conversation. Lights up when mute is activated.

H #
Dial a #.

I Memory
For storing and dialling numbers in the two-touch memory.

J Curly line cord socket

K Ringer switch
Switch the ringer volume between high, low and off.

L Ring indicator LED
Flashes to indicate an incoming call.

3. Using the phone

3.1 Calls

3.1.1 Make a call

Lift the handset, when you hear the dial tone, dial the number.

3.1.2 End a call

Place the handset back on the base.

3.1.3 Receive a call

Lift the handset to answer the call.

3.2 Mute

You can mute your handset so that you can talk to someone nearby without your caller hearing.

1. During a call, press . The LED will light up.
2. Press again to resume your call. The LED will turn off.

3.3 Redial

The last entry dialled is stored in the phone; the number can be up to 32 digits long.

To redial the last entry called, pick up the handset and press r .

3.4 Recall

Recall is useful to access certain network services and PABX /switchboard services.

For more information about network services contact your network operator.

The recall mode preset in the CT50 is suitable for your country network.

4. Memory

You can store one of your most frequently used telephone numbers under each of the number buttons 0-9, the number can be up to 32 digits long.

4.1 Store a two-touch number

1. Lift the handset and press and hold until you hear a tone. The red LED on the mute button will flash.
2. Press one of the keypad buttons 0-9.
3. Dial the number to be stored.
4. Press .
5. Place the handset back on the base.

NOTE

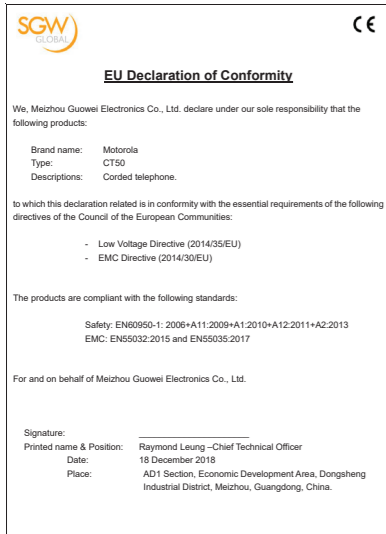
Remember to make a note of which phone numbers are store under which keypad number on the label provided. You will need to remove the plastic plate so you can write on the card. Once you have made a note of the numbers replace the plastic plate.

4.2 Dial a two-touch number

1. Lift the handset.
2. Press .
3. Press one of the keypad buttons 0-9, where the number is stored.
4. The memory number will be dialled out.

4.3 Delete a two-touch number

1. Lift the handset and press and hold until you hear a tone. The red LED on the mute button will flash.
2. Press one of the keypad buttons 0-9.
3. Press .
4. Place the handset back on the base.



Manufactured, distributed or sold by Suncorp Technologies Ltd., official licensee for this product. MOTOROLA and the Stylized M Logo are trademarks or registered trademarks of Motorola Trademark Holdings, LLC. and are used under license. All other trademarks are the property of their respective owners. © 2017 Motorola Mobility LLC. All rights reserved.

Version 7 (EU)



5. Help

No dial tone

- Use only the telephone line cord supplied.
- Check that the telephone line cord is connected properly.

Storing numbers

- Once you have stored a number there is no confirmation tone, just hang up the handset.
- Remember to make a note of your memory numbers on the card provided.

Cannot hear your caller

- Make sure mute is not activated. If the LED is lit press to turn mute off.

6. General information

IMPORTANT

This product is intended for connection to analogue public switched telephone networks and private switchboards in Europe.

Important safety instructions

Follow these safety precautions when using your phone to reduce the risk of fire, electric shock, and injury to persons or property:

- Do not set the phone on a heating register or over a radiator. Ensure that proper ventilation is provided at the installation site.
- Do not use while wet or while standing in water.
- Do not use this product near water (for example, near a bath tub, kitchen sink, or swimming pool).
- Do not disassemble this product. If service or repair work is required, contact the customer service helpline found in this User Guide.
- Avoid using during an electrical storm. Use a surge protector to protect the equipment.

Installation Guidelines

- Read and understand all instructions and save them for future reference.
- Follow all warnings and instructions marked on the product.
- Do not install this product near a bath tub, sink, or shower.
- Do not place this product on an unstable cart, stand, or table. This product may fall, causing serious damage to the product.
- Adjust only those controls that are covered by the operating instructions. Improper adjustment of other controls may result in damage and will often require extensive work to restore the product to normal operation.

Cleaning

- Clean the handset and base with a damp (not wet) cloth, or an anti-static wipe.
- Never use household polish as this will damage the product. Never use a dry cloth as this may cause static shock.

Environmental

- Do not expose to direct sunlight.
- Do not place your product on carpets or other surfaces which generate fibres, or place it in locations preventing the free flow of air over its surfaces.
- Do not submerge any part of your product in water and do not use it in damp or humid conditions, such as bathrooms.
- Do not expose your product to fire, explosives or other hazardous conditions.
- There is a slight chance that your phone

could be damaged by an electrical storm. We recommend that you unplug the telephone line cord during an electrical storm.

Product disposal instructions

Product disposal instructions for residential users

When you have no further use for it, please dispose the product according to your local authority's recycling processes. For more information, please contact your local authority or the Retailer where the product was purchased.

Product disposal instructions for business users

Business users should contact their suppliers and check the terms and conditions of the purchase contract and ensure that this product is not mixed with other commercial waste for disposal.

Consumer Products and Accessories Warranty

Thank you for purchasing this Motorola branded product manufactured under license by Suncorp Technologies Limited, 2/F, Shui On Centre, 6-8 Harbour Road, Hong Kong. ("SUNCORP")

What Does this Warranty Cover?

Subject to the exclusions contained below, SUNCORP warrants that this Motorola branded product ("Product") or certified accessory ("Accessory") sold for use with this product that it manufactured to be free from defects in materials and workmanship under normal consumer usage for the period outlined below. This Limited Warranty is your exclusive warranty and is not transferable.

Who is covered?

This warranty extends only to the first consumer purchaser, and is not transferable.

What will SUNCORP do?

SUNCORP or its authorized distributor at its option and within a commercially reasonable time, will at no charge repair or replace any Products or Accessories that do not conform to this limited warranty. We may use functionally equivalent reconditioned / refurbished / pre-owned or new Products, Accessories or parts.

What Other Limitations Are There?

ANY IMPLIED WARRANTIES, INCLUDING WITHOUT LIMITATION THE IMPLIED WARRANTIES OF MERCHANTABILITY AND FITNESS FOR A PARTICULAR PURPOSE, SHALL BE LIMITED TO THE DURATION OF THIS LIMITED WARRANTY. OTHERWISE THE REPAIR OR REPLACEMENT PROVIDED UNDER THIS EXPRESS LIMITED WARRANTY IS THE EXCLUSIVE REMEDY OF THE CONSUMER, AND IS PROVIDED IN LIEU OF ALL OTHER WARRANTIES, EXPRESS OR IMPLIED. IN NO EVENT SHALL

MOTOROLA OR SUNCORP BE LIABLE, WHETHER IN CONTRACT OR TORT (INCLUDING NEGLIGENCE) FOR DAMAGES IN EXCESS OF THE PURCHASE PRICE OF THE PRODUCT OR ACCESSORY, OR FOR ANY INDIRECT, INCIDENTAL, SPECIAL OR CONSEQUENTIAL DAMAGES OF ANY KIND, OR LOSS OF INFORMATION OR OTHER FINANCIAL LOSS ARISING OUT OF OR IN CONNECTION WITH THE ABILITY OR INABILITY TO USE THE PRODUCTS OR ACCESSORIES TO THE FULL EXTENT THESE DAMAGES MAY BE DISCLAIMED BY LAW.

Some jurisdictions do not allow the limitation or exclusion of incidental or consequential damages, or limitation on the length of an implied warranty, so the above limitations or exclusions may not apply to you. This warranty gives you specific legal rights, and you may also have other rights that vary from one jurisdiction to another.

| Products Covered | Length of Coverage |
|---|---|
| Consumer Products | Two (2) years from the date of the products original purchase by the first consumer purchaser of the product. |
| Consumer Accessories (line cord) | Ninety (90) days from the date of the accessories original purchase by the first consumer purchaser of the product. |
| Consumer Products and Accessories that are Repaired or Replaced | The balance of the original warranty or for ninety (90) days from the date returned to the consumer, whichever is longer. |

Exclusions

Normal Wear and Tear. Periodic maintenance, repair and replacement of parts due to normal wear and tear are excluded from coverage.

Abuse & Misuse. Defects or damage that result from: (a) improper operation, storage, misuse or abuse, accident or neglect, such as physical damage (cracks, scratches, etc.) to the surface of the product resulting from misuse; (b) contact with liquid, water, rain, extreme humidity or heavy perspiration, sand, dirt or the like, extreme heat, or food; (c) use of the Products or Accessories for commercial purposes or subjecting the Product or Accessory to abnormal usage or conditions; or (d) other acts which are not the fault of Motorola or SUNCORP, are excluded from coverage.

Use of Non-Motorola branded Products and Accessories. Defects or damage that result from the use of Non-Motorola branded or certified Products or Accessories or other

peripheral equipment are excluded from coverage.

Unauthorized Service or Modification.

Defects or damages resulting from service, testing, adjustment, installation, maintenance, alteration, or modification in any way by someone other than Motorola, SUNCORP or its authorized service centres, are excluded from coverage.

Altered Products. Products or Accessories with (a) serial numbers or date tags that have been removed, altered or obliterated; (b) broken seals or that show evidence of tampering; (c) mismatched board serial numbers; or (d) nonconforming or non-Motorola branded housings, or parts, are excluded from coverage.

Communication Services. Defects, damages, or the failure of Products or Accessories due to any communication service or signal you may subscribe to or use with the Products or Accessories is excluded from coverage.

How to Obtain Warranty Service or Other Information?

To obtain service or information, please call: XXXXXXXXXXXX.

You will receive instructions on how to ship the Products or Accessories at your expense and risk, to a SUNCORP Authorized Repair Centre. To obtain service, you must include: (a) the Product or Accessory; (b) the original proof of purchase (receipt) which includes the date, place and seller of the Product; (c) if a warranty card was included in your box, a completed warranty card showing the serial number of the Product; (d) a written description of the problem; and, most importantly; (e) your address and telephone number.

Technical Information

How many telephones can I have?

All items of telephone equipment have a Ringer Equivalence Number (REN), which is used to calculate the number of items which may be connected to any one telephone line. Your CT50 has a REN of 1. A total REN of 4 is allowed. If the total REN of 4 is exceeded, the telephones may not ring. With different telephone types, there is no guarantee of ringing, even when the REN is less than 4.

Connecting to a switchboard

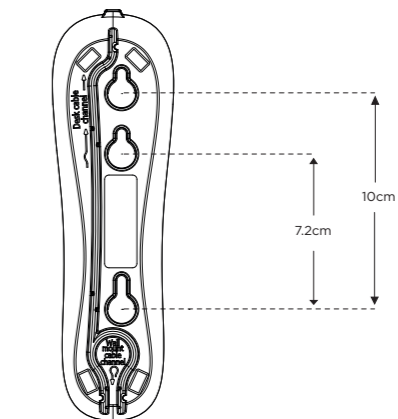
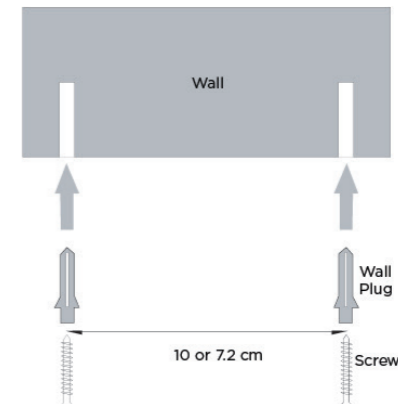
This product is intended for use within Europe for connection to the public telephone network.

7. Wall mounting

IMPORTANT

Before you wall-mount your CT50, check that you are not drilling into any hidden wiring or pipes. Before you drill, make sure the telephone line cable will reach the socket.

1. Drill two 4mm diameter holes in the wall 10 or 7.2 cm apart vertically.



Motorola CT50 Corded Telephone



Compact simplicity